

Quick Start Guide
快速入门指南

Routist R2

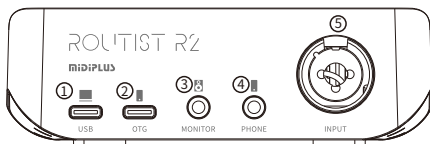
Introduction

Thank you for choosing Routist R2 audio interface. Routist R2 is 1 in 2 out USB audio interface. You can supply 48V phantom power to your condenser microphone with only USB bus power supply. You can connect to your mobile phone through the built-in OTG port, providing you a faster and more convenient live streaming experience. With 24bit / 96kHz high resolution sampling rate, support Windows low-latency ASIO driver and will work straight away without needing to install any drivers on macOS. Please read this manual before you start using, to help you quickly understand the basic operations and features of Routist R2.

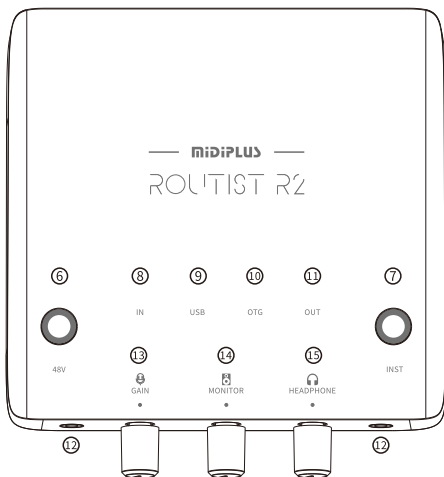
Features

- 1 in/2 out USB audio interface
- Support 24bit/ 96kHz audio resolution
- 1 XLR/TRS combo input for connecting microphone, line-level device or instrument (guitars or basses)
- With 48V phantom power supply for condenser microphone
- Independent input and output level indicator, can view input and output levels simultaneously
- Independent monitor output volume and headphone volume control
- Connect to your mobile phone through OTG or 3.5mm jack
- Dual headphone outputs
- USB bus powered

Hardware Features



1. USB port: Connect to a computer to transmit data and power supply.
2. OTG port: Connect to a mobile phone to transmit digital audio signals.
3. Monitor: Connect to the active speakers to monitor the output signals.
4. Phone: Connect to headset jack of mobile phone, for transmit analog audio signals.
5. XLR/TRS Combo Input: Connect the microphone through XLR, connect line-level device or instrument(guitars or basses) through TRS jack.



6. 48V Switch: Turn on/off the phantom power supply of the XLR input, the button light is on when it is turned on.
7. Instrument/Line Switch: When the button lights on, the TRS input can be connected to an instrument such as an electric guitar, and when off, it is a line-level input.
8. Input Level LED: Indicate the XLR/TRS input level in different colors, lights red when clipping.
9. USB Status LED: Lights on when connected to the computer.
10. OTG Status LED: Lights on when connected to the mobile phone.
11. Output Level LED: Indicate the output level in different colors, lights red when clipping.
12. Headphone Outputs: Connect 2 headphone
13. Input Gain Control: Control the XLR/TRS input's gain level
14. Monitor Control: Control the monitor output level.
15. Headphone Control: Control the dual headphone outputs level.

Start Using

1. Connect

Connect the Routist R2 to computer by using the included USB A to USB C cable, the USB status LED on Routist R2 will light on.

2. Installation

Windows: Go to <http://www.midiplus.com/support.aspx?id=1> download and install the latest driver.

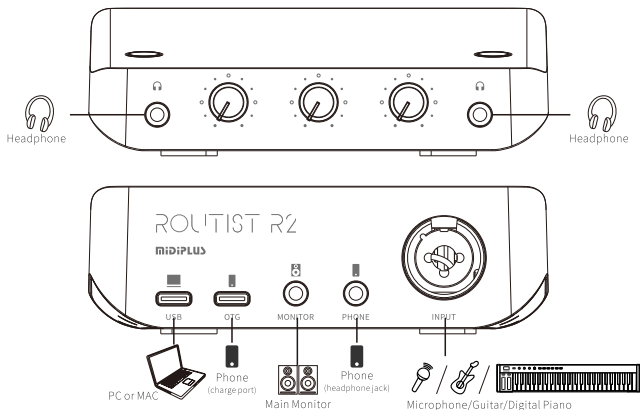
macOS: No need to install any drivers.

3. Setting the default sound device

Windows: Go to Settings > System > Sound and then selecting the Routist R2 as your device for Input and Output.

macOS: Go to System Preferences > Sound and then selecting the Routist R2 as your device for Input and Output.

4. Connection Example



Specifications:

Model	Routist R2
Bit depth /Sample rate	24bit/ 96kHz
I/O	1 x XLR/TRS Combo Input, 1 x 1/8" Phone Jack, 2 x 1/8" Headphone Outputs, 1 x 1/8" Monitor Output, 1 x USB C port, 1 x USB C OTG port
Phantom Power	48V
Buttons	48V Switch, Instrument Switch
Knobs	Gain, Monitor, Headphone
Dimensons	5.03 × 4.80 × 1.49(inch)
Accessory	Quick Start Guide, TRRS 1/8" to TRRS 1/8" cable, USB A to USB C cable

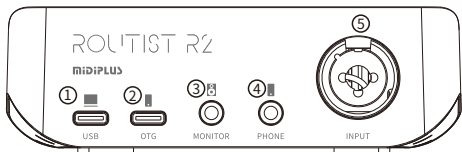
简介

感谢您选择Routist R2音频接口。Routist R2是一款一进二出的USB音频接口，只需USB总线供电就可以为您的电容麦克风提供48V幻象电源。通过自带的OTG接口连接手机，为您提供了更快捷方便的直播体验。支持24bit/ 96kHz高精度采样率的同时具备了Windows 低延迟ASIO驱动，并支持Mac系统下免驱动使用。在开始使用之前请阅读此手册，以帮助您快速了解Routist R2的基本操作方法和功能。

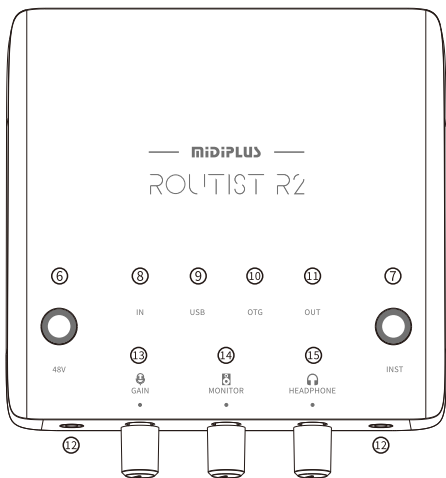
产品特性

- 1进2出USB音频接口
- 支持24bit/ 96kHz音频解析度
- 一个XLR/TRS混合输入接口，可连接麦克风、线性设备或高阻抗乐器（电吉他和贝司）
- 带48V幻象电源可为电容式麦克风供电
- 独立的输入和输出电平指示灯，可同时查看输入和输出电平
- 监听输出音量和耳机音量独立调节
- 支持OTG或3.5mm接口连接手机
- 双耳机输出接口
- USB总线供电

硬件功能



1. USB接口：连接到电脑传输数据及供电
2. OTG接口：连接到手机传输数字音频信号
3. Monitor接口：连接到有源音箱监听输出信号
4. Phone接口：连接到手机的耳麦接口，传输模拟音频信号
5. XLR/TRS混合输入接口：通过XLR接口连接动圈或电容麦克风，通过TRS接口线连接线性电平设备或乐器（如电吉他）



6. 48V幻象电源:开启/关闭XLR输入的48V幻象电源供电,开启后按键灯常亮
7. 乐器/线性切换:按键灯亮起时TRS输入为乐器输入可连接电吉他等乐器,关闭时则为线性电平输入
8. 输入电平指示灯:以不同颜色指示XLR/TRS输入的电平大小,过载时亮红色
9. USB状态灯:连接至电脑并被成功识别时,该指示灯常亮
10. OTG状态灯:连接至手机并被成功识别时,该指示灯常亮
11. 输出电平指示灯:以不同颜色指示输出的电平大小,过载时亮红色
12. 耳机接口:可同时连接2副耳机
13. 输入增益:调节XLR/TRS输入的增益量
14. 监听音量:调节监听输出的音量
15. 耳机音量:调节2个耳机输出的音量

开始使用

1. 连接

将附带的USB A 转USB C线缆将Routist R2连接到电脑后,Routist R2的USB状态灯将会亮起。

2. 安装驱动

Windows用户：访问<http://www.midiplus.com/support.aspx?id=1>下载并安装最新的驱动。

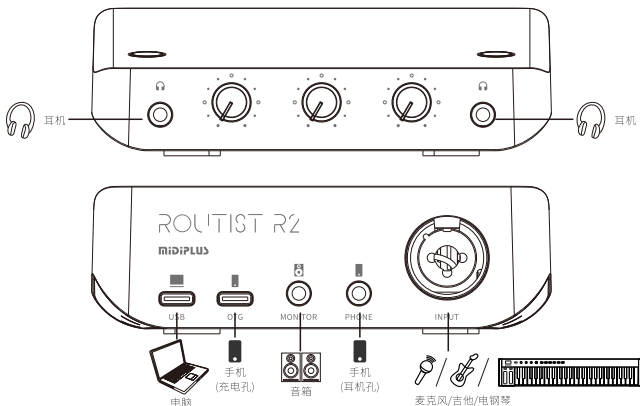
macOS用户：无需安装驱动

3. 设置默认声音设备

Windows用户：转到设置->系统->声音，然后选择Routist R2为输入/输出设备。

macOS用户：转到系统偏好设置->声音，然后选择Routist R2为输入/输出设备。

4. 连接示例



产品规格

型号	Routist R2
位深度/采样率	24bit/ 96kHz
I/O接口	一个XLR/TRS混合接口、一个3.5mm手机接口、两个3.5mm立体声耳机输出、一个3.5mm监听输出接口、一个USB C接口、1个USB C OTG接口、
幻象电源	48V
按钮	一个48V开关、一个INST高阻抗模式开关
旋钮	一个输入增益旋钮、一个输出音量旋钮、一个耳机音量旋钮
尺寸	128 × 122 × 38(mm)
附件	快速入门手册、 TRRS 3.5mm转TRRS 3.5mm连接线、 USB A转USB C连接线

www.midiplus.com